

METREL MD 9260

Photovoltaic CAT III 1500V multimeter clamp
Photovoltaik-Multimeter-Zange KAT III 1.500 V



MD 9260

User Manual

Bedienungsanleitung

Version 1.1.8, Code no. 20753238

Distributor:

METREL d.d.

Ljubljanska cesta 77

1354 Horjul

Slovenia

e-mail: metrel@metrel.si

web site: <http://www.metrel.si/>

Metrel GmbH

Mess und Prüftechnik

Orchideenstrasse 24

90542 Eckental -Brand

Germany

E-mail: metrel@metrel.de

Internet: <http://www.metrel.de/>

Metrel UK Ltd.

Test & Measurement

Unit 16, 1st Qtr Business Park

Blenheim Road

Epsom

Surrey

KT19 9QN,

Great Britain

E-mail: info@metrel.co.uk

Internet: <http://www.metrel.co.uk>

© 2012 – 2022 METREL



Mark on your equipment certifies that this equipment meets the requirements of the EC (European Community) regulations concerning safety and electromagnetic compatibility.

No part of this publication may be reproduced or utilized in any form or by any means without permission in writing from METREL.

Table of contents

English

1. Safety	4
2. Product Description	6
3. Operation.....	7
4. Maintenance.....	13
5. Specifications	14
6. Limited Warranty	18
7. Service	19

German

8. Sicherheit	20
9. Produktbeschreibung.....	22
10. Bedienung	23
11. Wartung	30
12. Technische Daten	31
13. Eingeschränkte Garantie.....	35
14. Wartung	36

1. Safety

This manual contains information and warnings that must be followed for operating the instrument safely and maintaining the instrument in a safe operating condition. If the instrument is used in a manner not specified by the manufacturer, the protection provided by the instrument may be impaired.

To avoid electrical shock hazard, observe the proper safety precautions when working with voltages above 60 VDC or 30 VAC rms. These voltage levels pose a potential shock hazard to the user.

Keep your hands/fingers behind the hand/finger barriers (of the meter and the test leads) that indicate the limits of safe access of the hand-held part during measurement. Inspect test leads, connectors, and probes for damaged insulation or exposed metal before using the instrument. If any defects are found, replace them immediately. Only use the test probe assembly provided with the meter or a UL Listed test probe assembly to the same meter ratings or better.

This Clamp-on meter is designed to apply around or remove from uninsulated hazardous live conductors. But still, individual protective equipment must be used if hazardous live parts in the installation where measurement is to be carried out could be accessible.

Disconnect the test leads from the test points before changing functions.

The meter protection rating, against the users, is double insulation per IEC/EN/UL/CAN/CSA C22.2 No. 61010-1 Ed. 3.1, IEC/E/UL/CAN/CSA C22.2 61010-2-032 Ed. 4.0 Measurement Categories CAT IV 1000V and CAT III 1500V dc for Photovoltaic Power Generation applications.

The accompanying test probe assembly meets IEC/EN/UL/CAN/CSA C22.2 No. standards of 61010-031 Ed. 2.0 to the same meter ratings or better. The IEC/EN/UL/CAN/CSA C22.2 No. 61010-031 requires exposed conductive test probe tips to be $\leq 4\text{mm}$ for CAT III & CAT IV ratings. Refer to the category markings on your probe assemblies and the add-on accessories (like detachable Caps or Alligator Clips), if any, for applicable rating changes.

Brief Information on Measurement Categories

OVERVOLTAGE CATEGORY II

Equipment of **OVERVOLTAGE CATEGORY II** is energy-consuming equipment to be supplied from the utilization points (e.g. sockets) of the low-voltage mains. Examples include household, office, and laboratory appliances.

OVERVOLTAGE CATEGORY III

Equipment of **OVERVOLTAGE CATEGORY III** is located the distribution part of the low-voltage mains. Examples include distribution boards, circuit breakers, cables, bus-bars, sockets, stationary motors and fixed-installed industrial equipment.

OVERVOLTAGE CATEGORY IV

Equipment of **OVERVOLTAGE CATEGORY IV** is applicable at the source of the local low voltage installation. Examples include electricity meters, primary over-current protection equipment and any other equipment installed before the main fuse.

TERMS IN THIS MANUAL

WARNING identifies conditions and actions that could result in serious injury or even death to the user.

CAUTION identifies conditions and actions that could cause damage or malfunction in the instrument.

INTERNATIONAL ELECTRICAL SYMBOLS

Caution ! Refer to the explanation in this Manual



Caution ! Risk of electric shock



Earth (Ground)



Double Insulation or Reinforced insulation



Fuse



AC--Alternating Current



DC--Direct Current



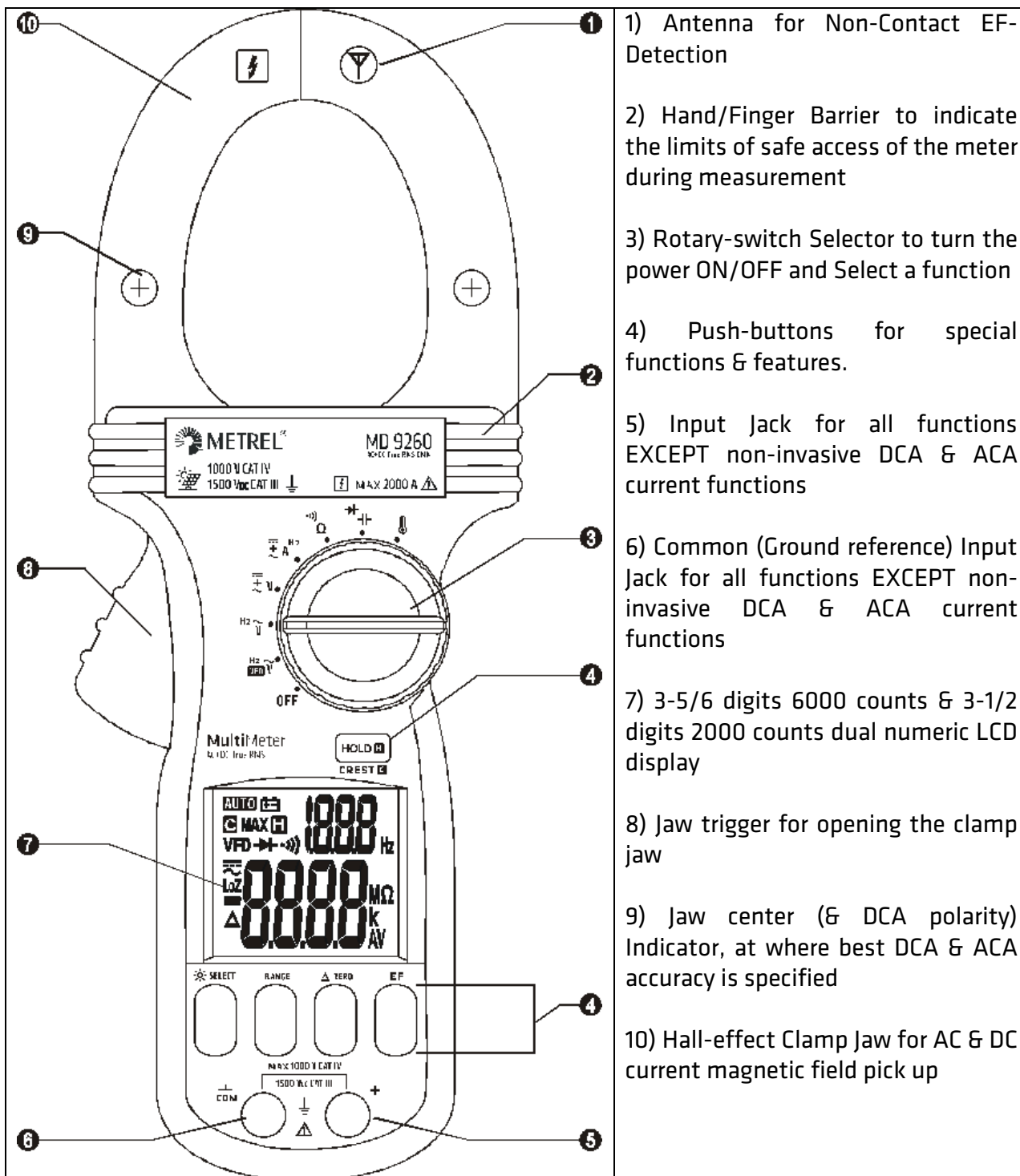
Application around and removal from hazardous live conductors is permitted

EUROPEAN DIRECTIVES AND UK STATUTORY REQUIREMENTS

The instruments conform to EUROPEAN (CE) Low-Voltage Directive 2014/35/EU, Electromagnetic Compatibility Directive 2014/30/EU, and RoHS 2 Directive 2011/65/EU plus amendment Directive (EU) 2015/863. The instruments also conform to the UK (UKCA) Electrical Equipment (Safety) Regulations 2016, Electromagnetic Compatibility Regulations 2016, and The Restriction of the Use of Certain Hazardous Substances in Electrical and Electronic Equipment Regulations 2012.

2. Product Description

This user's manual uses only representative model(s) for illustrations. Please refer specification details for function availability to each model.



3. Operation

CAUTION: Before and after hazardous voltage measurements, test the voltage function on a known source such as line voltage to determine proper meter functioning.

VFD-ACV^{Hz} & ACV^{Hz} functions

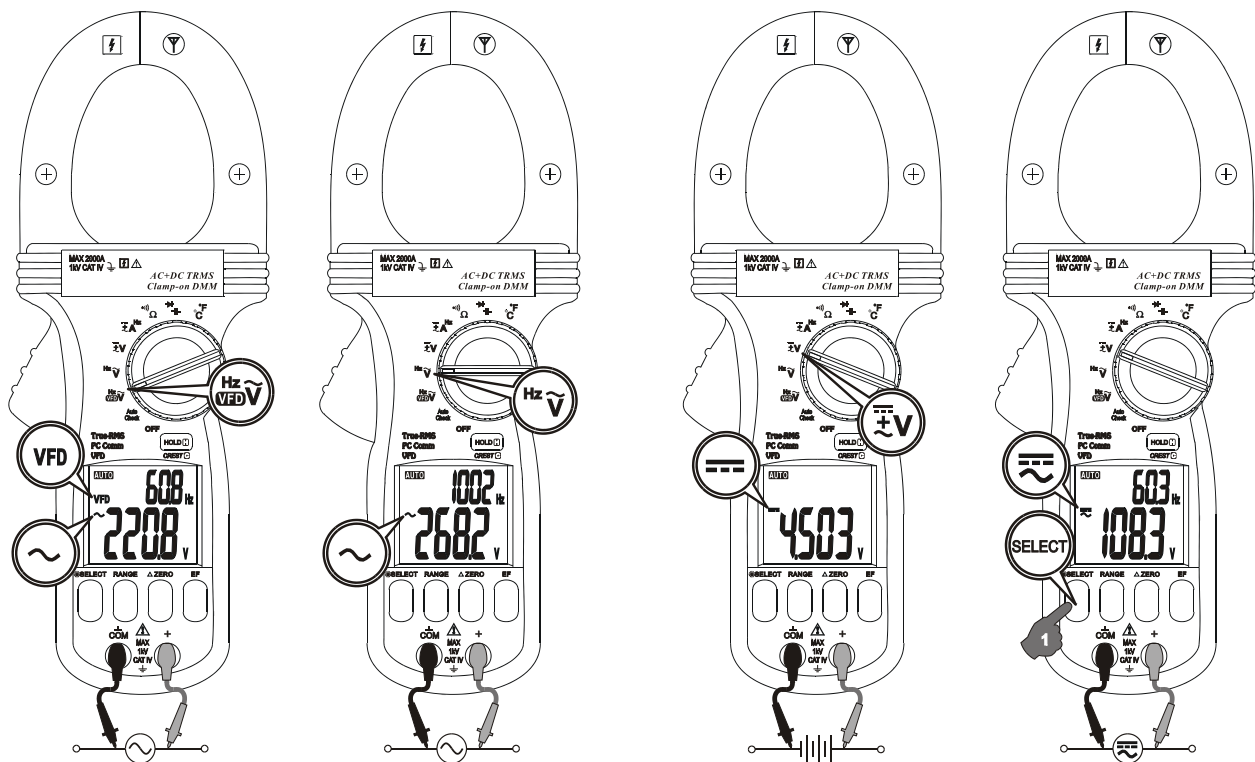
Inputs are made through the test leads terminals.

VFD-ACV^{Hz} function is to deal with VFD (Variable Frequency Device) signals. It, however, further pre-selects the most appropriate voltage-ranges and thus the Hz trigger levels to best cope with most VFD-Voltage and VFD-Frequency applications.

Note: The Hz trigger level is determined by the AC/DC+AC Voltage or Current function-range being in use. Press RANGE button to select different function-ranges and thus trigger levels manually.

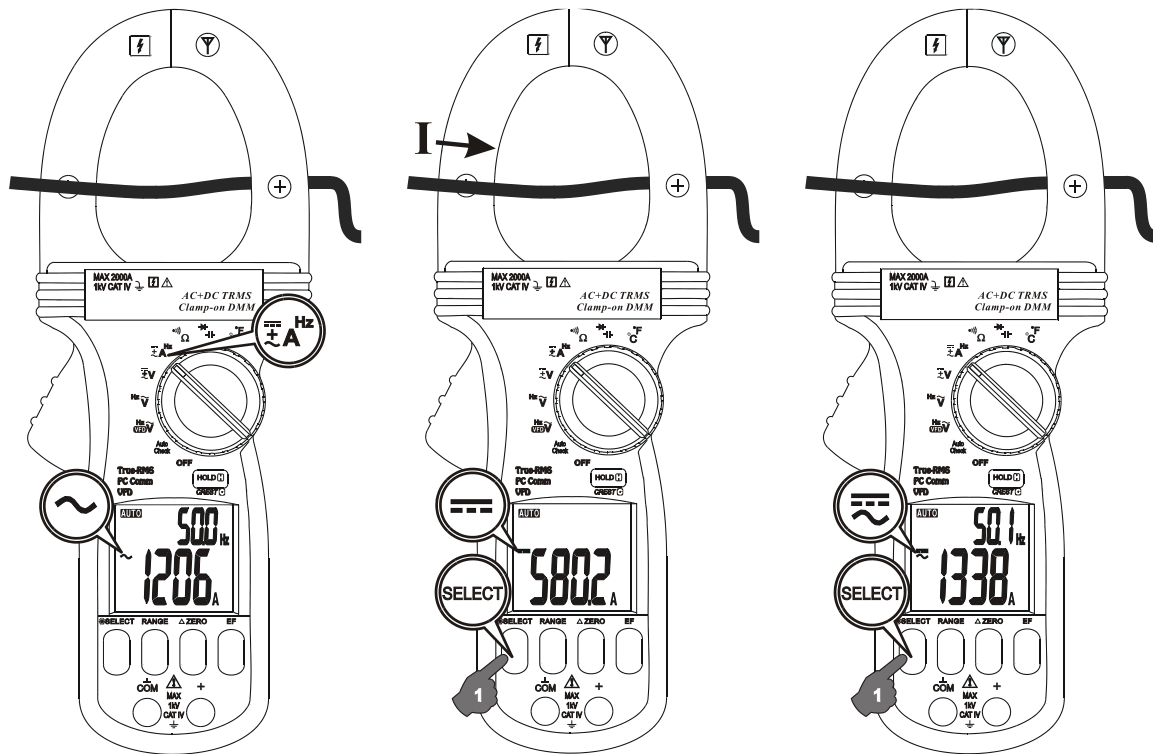
DCV & DC+ACV^{Hz} functions

Inputs are made through the test leads terminals. Defaults at DCV Function. Press SELECT button momentarily and release to select DC+ACV^{Hz}.



ACA^{Hz}, DCA & DC+ACA^{Hz} functions

Input is made through the clamp jaws for non-invasive current measurements. Defaults at ACA^{Hz} Function. Press SELECT button momentarily and release to select the subject functions in sequence.



CAUTION: Application and removal of the Clamp-on meter

For non-invasive current measurements, press the jaw trigger and clamp the jaws around conductor(s) of only one single pole of a circuit for load current measurement. Make sure the jaws are completely closed, or else it will introduce measurement errors. Enclosing conductor(s) of more than one pole of a circuit may result in differential current (like identifying leakage current) measurement. Locate the conductor(s) at the Jaws center as much as possible to get the best measuring accuracy. For removal, press the jaw trigger and remove the jaws from the conductor(s).

Adjacent current-carrying devices such as transformers, motors and conductor wires will affect measurement accuracy. Keep the jaws away from them as much as possible to minimize influence.

WARNING

Do not use the meter to measure currents above the rated frequency (400Hz). Circulating currents may cause the magnetic circuits of the Jaws to reach a hazardous temperature.

Ω Resistance & $\cdot\cdot\cdot$ Continuity functions

Use probes in the input terminals. Defaults at Ω Resistance. Press SELECT button momentarily and release to select $\cdot\cdot\cdot$ Continuity

$\text{--}\text{||}\text{--}$ Capacitance & $\text{--}\text{||}\text{--}$ Diode functions

Use probes in the input terminals. Defaults at $\text{--}\text{||}\text{--}$ Capacitance. Press SELECT button momentarily and release to select $\text{--}\text{||}\text{--}$ Diode.

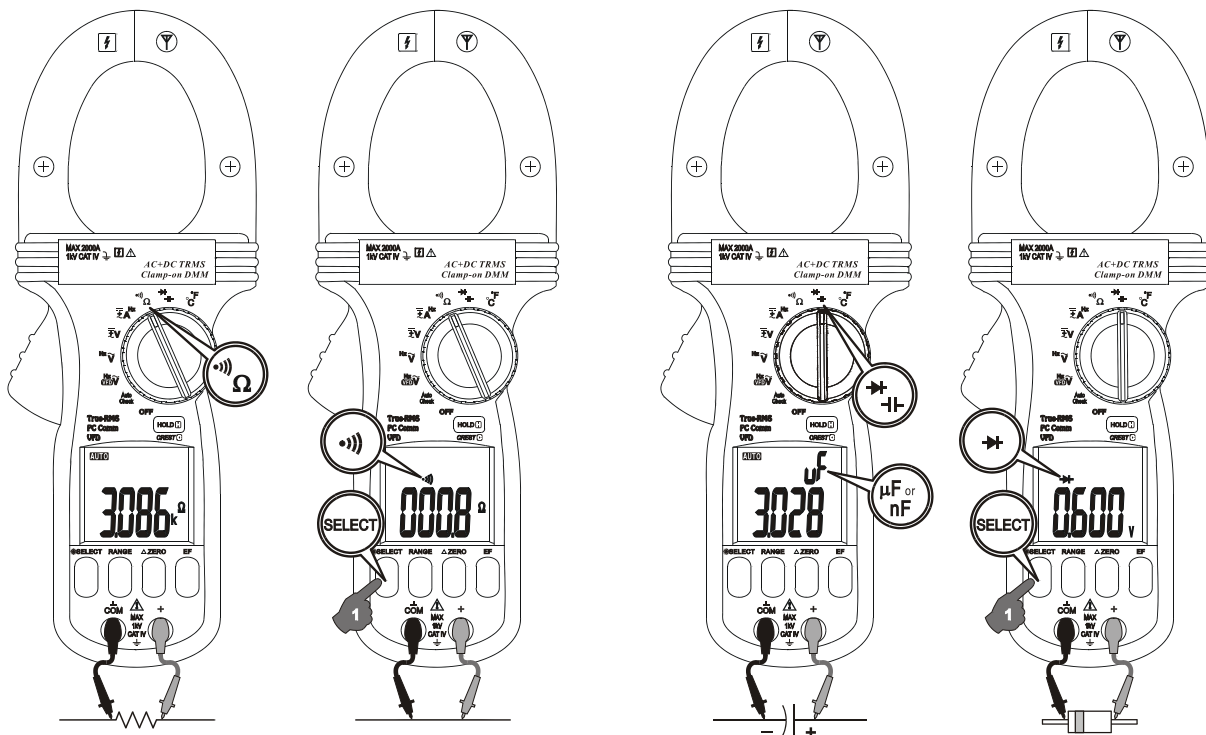
Note

When using Diode test function, normal forward voltage drop (forward biased) for a good silicon diode is between 0.400V to 0.900V. A reading higher than that indicates a leaky diode (defective). A zero reading indicates a shorted diode (defective). An OL indicates an open diode (defective). Reverse the test leads connections (reverse biased) across the diode. The digital display shows OL if the diode is good. Any other readings indicate the diode is resistive or shorted (defective).

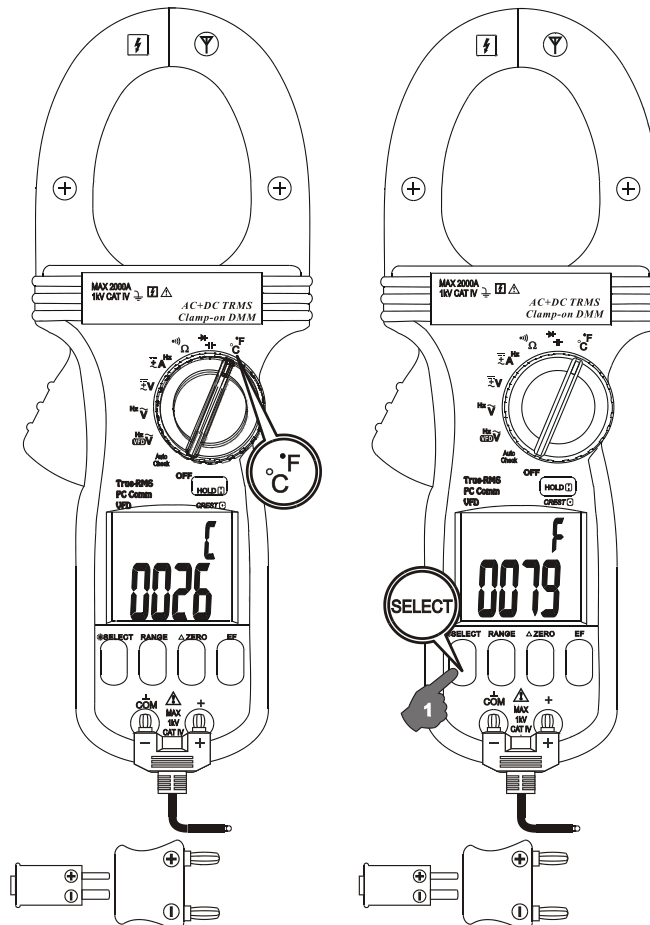
CAUTION

1. Using Resistance, Continuity, Diode or Capacitance function in a live circuit will produce false results and may damage the meter. In many cases the suspected component(s) must be disconnected from the circuit to obtain an accurate measurement reading.

2. When using Capacitance function, discharge capacitor(s) before making any measurements. Large value capacitors should be discharged through an appropriate resistance load



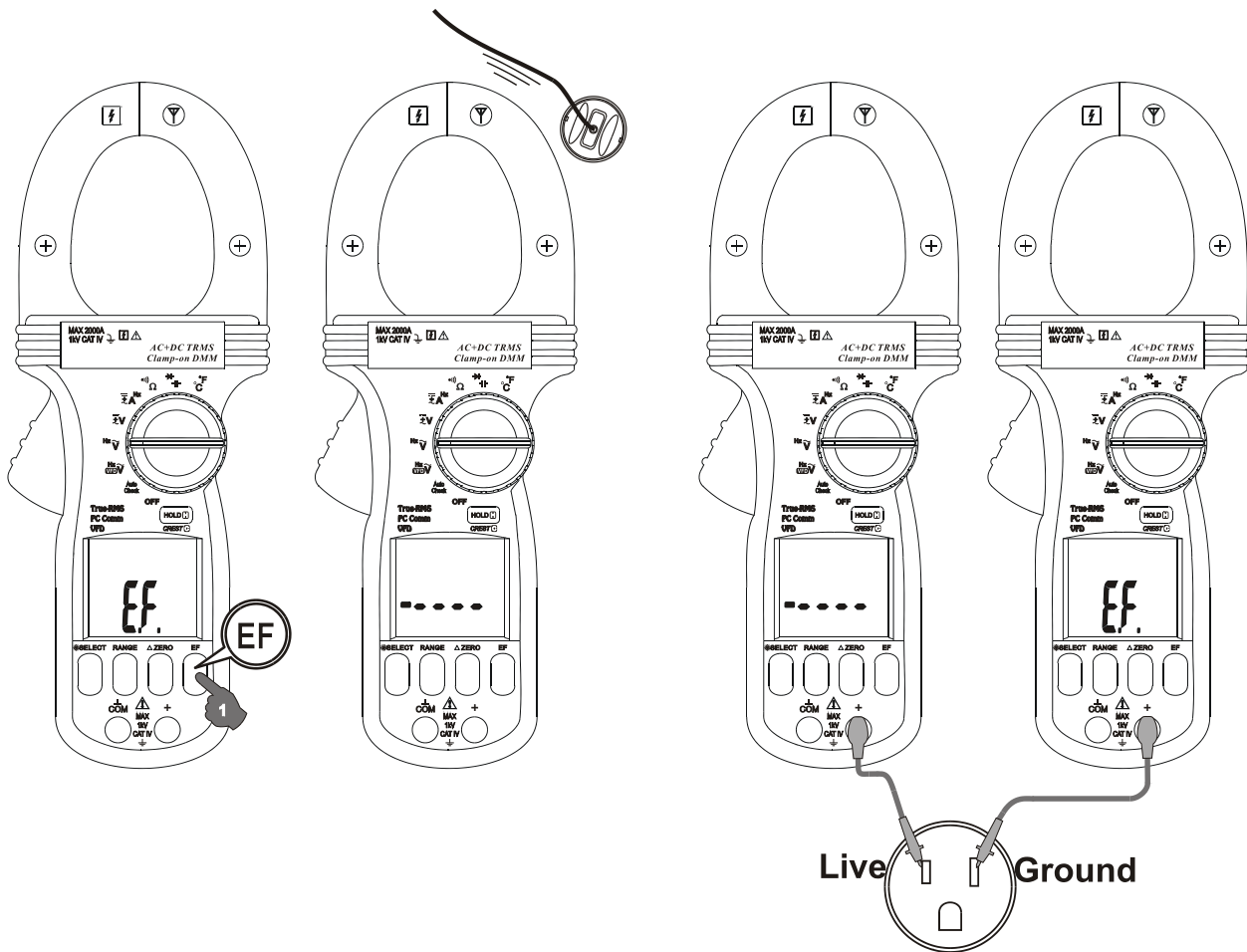
Temperature function



Defaults at °C (Celsius) readings. Press SELECT button momentarily and release to select °F (Fahrenheit) readings. Inputs are made through the test leads terminals. Be sure to insert the banana plug type-K temperature bead probe AMD 9023 with correct **+** **-** polarities. You can also use a plug adapter AMD 9024 (Optional purchase) with banana pins to type-K socket to adapt other type-K standard mini plug temperature probes.

Electric Field EF-Detection

In Voltage or Current function, press the EF button for one second or more and release to toggle to EF-Detection feature. The meter displays “E.F.” when it is ready. Signal strength is indicated as a series of bar-graph segments on the display together with variable beep tones.



- **Non-Contact EF-Detection:** An antenna is located along the top-right end of the clamp jaw, which detects electric field surrounds energized conductors. It is ideal for tracing live wiring connections, locating wiring breakage and to distinguish between live or earth connections.
- **Probe-Contact EF-Detection:** For more precise indication of live wires, such as distinguishing between live and ground connections, use the Red (+) test probe for direct contact measurements.

PC computer interface capabilities

The instrument equips with an optical isolated interface port at the meter back for data communication. Optional purchase PC interface kit AMD 9250 is required to connect the meter to the PC computer RS232 or USB ports. *Press and hold the HOLD button while turning the meter on to enable meter PC-COMM output.*

Hold

The hold feature freezes the display for later view. Press the HOLD button momentarily and release to toggle the hold feature.

5ms CREST-MAX capture mode

Press CREST (HOLD) button for one second or more and release to activate CREST-MAX capture (Instantaneous Peak-Hold) mode to capture signal peak of voltage or current in duration as short as 5ms. The LCD "C" & "MAX" turn on. Press again the button momentarily and release can toggle the combination use of HOLD feature. Press the button for 1 second or

more and release to exit CREST-MAX capture mode. Auto-ranging and Auto-Power-Off are disabled automatically in this mode.

Backlighted LCD display

Press the SELECT button for 1 second or more to toggle the LCD backlight. The backlight will also be turned off automatically after 32 seconds to extend battery life.

Relative-Zero (Δ) mode

Relative-Zero allows the user to offset the meter consecutive measurements with the main display displaying reading as the reference value. Press the REL button momentarily and release to toggle Relative-Zero mode.

Manual or Auto-ranging

Press the RANGE button momentarily and release to select manual-ranging, and the meter will remain in the range it was in, the LCD **AUTO** turns off. Press the button again to step through the ranges. Press and hold the button for 1 second or more and release to resume auto-ranging.

Note: Manual-ranging feature is not available in Hz and + function ranges.

Set Beeper Off

Press the RANGE button while turning the meter on to temporarily disable the Beeper feature. Turn the rotary switch OFF and then back on to resume.

Auto-Power-Off (APO)

The Auto-Power-Off (APO) mode turns the meter off automatically to extend battery life after approximately 34 minutes of no rotary switch or push button operations. To wake up the meter from APO, press the SELECT button momentarily and release or turn the rotary switch OFF and then back on. Always turn the rotary switch to the OFF position when the meter is not in use

Disabling Auto-Power-Off

Press and hold the SELECT button while turning the meter on to temporarily disable the Auto-Power-Off (APO) feature. Turn the rotary switch OFF and then back on to resume.

4. Maintenance

WARNING

To avoid electrical shock, disconnect the meter from any circuit, remove the test leads from the input jacks and turn OFF the meter before opening the case. Do not operate with open case.

Troubleshooting

If the instrument fails to operate, check batteries and test leads etc., and replace as necessary. Double check operating procedure as described in this user's manual

If the instrument voltage-resistance input terminal has subjected to high voltage transient (caused by lightning or switching surge to the system) by accident or abnormal conditions of operation, the series fusible resistors will be blown off (become high impedance) like fuses to protect the user and the instrument. Most measuring functions through this terminal will then be open circuit. The series fusible resistors and the spark gaps should then be replaced by qualified technician. Refer to the LIMITED WARRANTY section for obtaining warranty or repairing service.

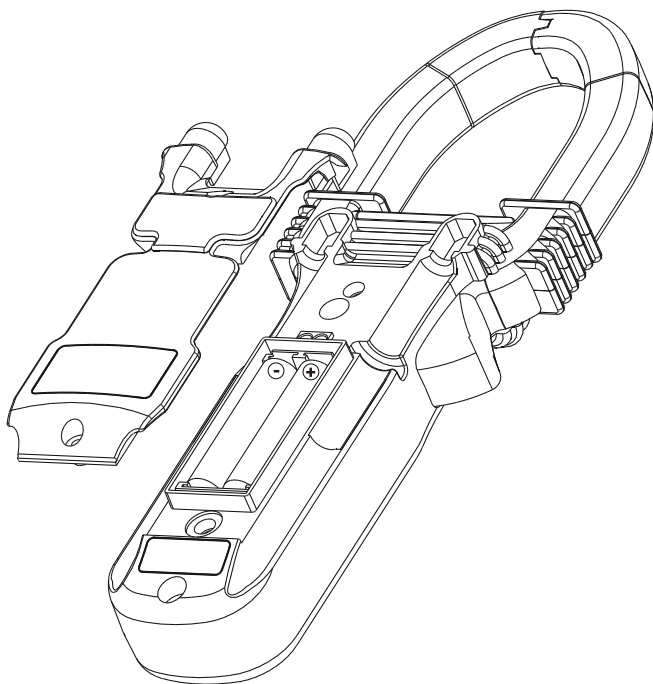
Cleaning and Storage

Periodically wipe the case with a damp cloth and mild detergent; do not use abrasives or solvents. If the meter is not to be used for periods of longer than 60 days, remove the batteries and store them separately

Battery replacement

The meter uses standard 1.5V AAA Size (NEDA 24A or IEC LR03) battery X 2

Loosen the 2 captive screws from the battery cover case. Lift the battery cover case. Replace the batteries. Replace battery cover case. Re-fasten the screws.



5. Specifications

General

Display:	3-5/6 digits 6000 counts. & 3-1/2 digits 1,999 counts for Hz
Polarity:	Automatic
Update Rate:	5 per second nominal
Operating Temperature:	0°C to 40°C
Relative Humidity:	Maximum relative humidity 80% for temperature up to 31°C decreasing linearly to 50% relative humidity at 40°C
Pollution degree:	2
Storage Temperature:	-20°C to 60°C, < 80% R.H. (with battery removed)
Altitude:	Operating below 2000m
Temperature Coefficient:	nominal 0.15 x (specified accuracy) / °C @(0°C–18°C or 28°C–40°C), or otherwise specified
Sensing:	True RMS
Safety:	Meets IEC/EN/BSEN/CSA_C22.2_No./UL standards of 61010-1 Ed. 3.1 and 61010-2-032 Ed. 4.0 to Measurement Categories CAT IV 1000V ac&dc and CAT III 1500Vdc.
Transient Protection:	12kV (1.2/50µs surge)
Overload Protections	
Clamp-on jaws:	2000A rms continuous “+“ & COM
Voltage on terminals:	1650Vdc / 1100Vac rms
Other functions:	1500Vdc / 1000Vac rms
E.M.C.:	Meets EN61326-1:2006 (EN55022, EN61000-3-2, EN61000-3-3, EN61000-4-2, EN61000-4-3, EN61000-4-4, , EN61000-4-5, EN61000-4-6, EN61000-4-8, EN61000-4-11)
In an RF field of 3V/m:	Capacitance function is not specified
Other function ranges:	Total Accuracy = Specified Accuracy + 200 digits Performance above 3V/m is not specified
Power Supply:	1.5V AA Size (IEC LR6) battery X 2
Power Consumption:	Typical 14mA for Current functions, and 5.2mA for others
Low Battery:	Below approx. 2.4V
APO Timing:	Idle for 34 minutes
APO Consumption:	10µA typical
Dimensions:	L264mm X W97mm X H43mm
Weight:	608 g
Jaw opening/Conductor diameter:	55mm max
Accessories:	Test leads (pair), user's manual, banana plug K-type thermocouple x 1
Optional purchase accessories:	USB interface kit AMD 9250; AMD9024 banana plug to type-K socket plug adaptor
Special Features	AutoCheck™ V&Ω; VFD-V & VFD-Hz; Backlighted LCD; 5ms CREST-MAX Capture mode (Peak Hold); Auto-ranging Relative-Zero mode; Display Hold; EF-Detection (NCV); Optional Interface capabilities with PC computers

Electrical Specifications

Accuracy is \pm (% reading digits + number of digits) or otherwise specified, at $23^{\circ}\text{C} \pm 5^{\circ}\text{C}$ & less than 75% relative humidity. True RMS voltage accuracies are specified from 5 % to 100 % of range or otherwise specified. Maximum Crest Factor < 1.4 : 1 at full scale & < 2.8 : 1 at half scale, and with frequency components within the specified frequency bandwidth for non-sinusoidal waveforms.

DC Voltage

RANGE	Accuracy
6.000V, 60.00V, 600.0V & 1000V	0.5%+5d
1000 V-1500V	0.5%+5d

Input Impedance: 10M Ω , 50 pF nominal

AC Voltage

RANGE	Accuracy
50Hz ~ 400Hz	
6.000V, 60.00V, 600.0V & 1000V	1.2% + 5d

Input Impedance: 10M Ω , 50 pF nominal

AC+DC Voltage

RANGE	Accuracy
DC, 50Hz ~ 400Hz	
6.000V, 60.00V, 600.0V & 1000V	1.4% + 7d

Input Impedance: 10M Ω , 50 pF nominal

VFD_ACV (with Low Pass Filter)

RANGE	Accuracy ¹⁾
10Hz ~ 20Hz	
6.000V, 60.00V, 600.0V & 1000V	4%+80d
20Hz ~ 200Hz	
6.000V, 60.00V, 600.0V & 1000V	2%+60d
200Hz - 400Hz ²⁾	
6.000V, 60.00V, 600.0V & 1000V	7%+80d

¹⁾Not specified for fundamental frequency > 400Hz

²⁾Accuracy linearly decreases from 2% + 50d @ 200Hz to 7% + 80d @ 400Hz

CREST-MAX Capture Mode

Accuracy: Specified accuracy plus 250 digits for changes > 5ms in duration

Ohm & AutoCheck™_Ohm¹⁾

RANGE	Accuracy
600.0Ω, 6.000KΩ, 60.00KΩ	0.5%+5d
600.0KΩ	0.8%+5d
6.000MΩ	1.2%+5d
40.00MΩ	2.3%+5d

Open Circuit Voltage: 0.45VDC typical

¹)AutoCheck™ Ohm Threshold:

< 10.00MΩ nominal

Audible Continuity Tester

Audible Threshold: Between 10Ω and 200Ω

Response time: 32ms approx.

Capacitance

RANGE	Accuracy ¹⁾
60.00nF, 600.0nF, 6.000μF	2.0%+5d
60.00μF, 600.0uF	3.5%+5d ²⁾
2000μF	4.0%+5d ²⁾

¹)Accuracies with film capacitor or better

²)Temperature Coefficient: 0.25 x (specified accuracy)/ °C @(0°C -- 18°C or 28°C -- 40°C)

Diode Tester

RANGE	Accuracy
1.000V	1.0% + 3d


Test Current: 0.56mA typically

Open Circuit Voltage: < 1.8VDC typically

DCA Current (Clamp on)

RANGE	Accuracy ^{1) 2)}
200.0A	2.0%+5d
0~500A	2.0%+5d
500~2000A	3.0%+5d

¹)Induced error from adjacent current-carrying conductor: <0.1A/A

²)Specified with Relative Zero  mode applied to offset the non-zero residual readings, if any

ACA Current (Clamp on)

RANGE	Accuracy ¹⁾
50Hz ~ 60Hz	
200.0A	2.0%+5d
0~500A	2.5%+5d
500~2000A	3.0%+5d
40Hz ~ 50Hz & 60Hz ~ 400Hz	
200.0A	2.0%+5d
0~500A	3%+5d

500~1000A	3.5%+5d
1000~2000A	indicative

True RMS Crest Factor : < 1.4 : 1 at full scale & < 2.8: 1 at half scale

¹⁾Induced error from adjacent current-carrying conductor: < 0.1A/A

DC+ACA Current (Clamp on)

RANGE	Accuracy ^{1) 2)}
DC, 50Hz ~ 60Hz	
200.0A, 2000A	3.0%+8d
40Hz ~ 50Hz & 60Hz ~ 400Hz	
200.0A	3.5%+8d
0~1000A	3.5%+8d
1000~2000A	indicative

True RMS Crest Factor:

< 1.4 : 1 at full scale & < 2.8 : 1 at half scale

¹⁾Induced error from adjacent current-carrying conductor: < 0.1A/A

²⁾Specified with Relative Zero Δ mode applied to offset the non-zero residual readings, if any

Temperature

RANGE	Accuracy
-50 °C ~ 1000 °C	0.3% +4d
-58 °F ~ 1832 °F	0.3% + 6d

K-type thermocouple range & accuracy not included

Hz Line Level Frequency

Function	Sensitivity (Sine RMS)	Range
6V	2V	40Hz ~ 1999Hz
60V	20V	40Hz ~ 1999Hz
600V	100V	40Hz ~ 1999Hz
1000V	600V	40Hz ~ 1999Hz
200A	10A	20Hz ~ 400Hz
2000A	40A	20Hz ~ 400Hz
VFD 6V ¹⁾	1V~2V	10Hz ~ 400Hz
VFD 60V ¹⁾	6~20V	10Hz ~ 400Hz
VFD 600V ¹⁾	60V~200V	10Hz ~ 400Hz

Accuracy: 0.1%+4d

¹⁾VFD sensitivity linearly decreases from 10% F.S. @ 200Hz to 40% F.S. @ 400Hz

Non-Contact EF-Detection

Typical Voltage	Bar-Graph Indication
20V (TOLERANCE: 10V ~ 36V)	-
55V (TOLERANCE: 23V ~ 85V)	- - -

6. Limited Warranty

This equipment is warranted against any defects of manufacture or materials.

During the warranty period (2 years), defective parts will be replaced, the manufacturer reserving the right to repair or replace the product. In the event of the equipment being returned to the after sale department or to a local agency, the outward transport is payable by the consignor. For delivery indicate, by means of an enclosed note, as clear as possible, the reasons for returning it. Any damage caused by shipment using not original packing will be charged in any case to the consignor.

The manufacturer will not be responsible for any damage to persons or things.

The warranty is not valid in the following cases:

- Accessories and battery are not included in warranty.
- Repairs following unsuitable use of the equipment.
- Repairs necessitated by attempts to repair by a person not approved by the manufacturer.
- Modification of the equipment without the explicit authorisation of the manufacturer.
- Adaptation to a specific application not provided for in the specifications of the equipment or the user manual.
- Damage after a drop, a shock or flooding.

The contents of this manual must not be reproduced in any form whatsoever without the consent of the manufacturer.

7. Service

The life span of the equipment is 7 years. If the equipment should not work properly, before the service, test the battery conditions, the test leads, etc., and change them if necessary. If the equipment still does not work check if your operating procedure agrees with the latter described in this manual.

In the event of returning the equipment it must be re-sent to the after-sales service of the local Metrel distributor, the outward transport is payable by customer. The delivery must be agreed in advance with consignee. For delivery indicate, by means of an enclosed note, as clear as possible, the reasons for returning it. Use only the original packing. Any damage caused by delivery with NO original packing will be charged in any case to the consignor.

THIS WARRANTY IS EXCLUSIVE AND IS IN LIEU OF ALL OTHER WARRANTIES, EXPRESSED OR IMPLIED, INCLUDING BUT NOT LIMITED TO ANY IMPLIED WARRANTY OR MERCHANTABILITY OR FITNESS FOR A PARTICULAR PURPOSE OR USE. METREL WILL NOT BE LIABLE FOR ANY SPECIAL, INDIRECT, INCIDENTAL OR CONSEQUENTIAL DAMAGES.



PRINTED ON RECYCLABLE PAPER, PLEASE RECYCLE

8. Sicherheit

Dieses Handbuch enthält Informationen und Warnungen, die für den sicheren Betrieb des Instruments und die Aufrechterhaltung eines sicheren Betriebszustands beachtet werden müssen. Wenn das Instrument in einer nicht vom Hersteller angegebenen Weise verwendet wird, kann der vom Instrument gewährleistete Schutz beeinträchtigt werden.

Um die Gefahr eines elektrischen Schlags zu vermeiden, müssen Sie beim Arbeiten mit Effektivspannungen von mehr als 60 V DC oder 30 V AC die entsprechenden Sicherheitsvorkehrungen treffen. Diese Spannungen können den Benutzer der Gefahr eines Stromschlags aussetzen.

Behalten Sie Ihre Hände/Finger hinter den Hand-/Fingerschranken (des Messgeräts und der Prüflleitungen), die während der Messungen die Grenzen des sicheren Zugriffs auf die von Hand gehaltenen Teile kennzeichnen. Prüfen Sie die Prüflleitungen, Stecker und Spitzen vor der Verwendung des Instruments auf beschädigte Isolierungen oder freiliegendes Metall. Tauschen Sie diese umgehend aus, wenn Sie einen Defekt feststellen. Verwenden Sie nur die im Lieferumfang des Messgeräts enthaltene Prüfspitzenbaugruppe oder eine UL-zertifizierte Prüfspitzenbaugruppe mit identischen oder besseren Messwerten.

Dieses Zangenmessgerät ist zum Anlegen an oder zum Trennen von nicht isolierten, gefährlichen, stromführenden Leitern vorgesehen. Dennoch muss eine persönliche Schutzausrüstung getragen werden, wenn gefährliche stromführende Komponenten der Anlage, in der die Messung vorgenommen werden soll, möglicherweise zugänglich sind.

Trennen Sie die Prüflleitungen von den Prüfpunkten, bevor Sie die Funktion wechseln.

Die Schutzart des Messgeräts in Bezug auf den Benutzer ist die doppelte Isolierung gemäß IEC/EN/UL/CAN/CSA C22.2 Nr. 61010-1 Ausg. 3.1, IEC/E/UL/CAN/CSA C22.2 61010-2-032 Ausg. 4.0 Messkategorien KAT IV 1.000 V und KAT III 1.500 V DC für Anwendungen für die photovoltaische Stromerzeugung.

Die im Lieferumfang enthaltene Prüfspitzenbaugruppe erfüllt IEC/EN/UL/CAN/CSA C22.2 Nr. 61010-031 Ausg. 2.0 für identische oder bessere Messwerte. IEC/EN/UL/CAN/CSA C22.2 No. 61010-031 sieht vor, dass freiliegende leitfähige Prüfspitzen für KAT III und KAT IV-Nennwerte ≤ 4 mm aufweisen müssen. Beachten Sie für die entsprechenden Änderungen an den Nennwerten die Kategoriekennzeichnungen auf den Prüfspitzen sowie ggf. auf dem zusätzlichen Zubehör (z. B. den abnehmbaren Kappen oder den Krokodilklemmen).

Kurzinformation zu den Messkategorien

ÜBERSPANNUNGSKATEGORIE II

Geräte der **ÜBERSPANNUNGSKATEGORIE II** sind energieverbrauchende Geräte, die von den Entnahmestellen (z. B. Steckdosen) eines Niederspannungsnetzes versorgt werden, so z. B. Haushalts-, Büro- und Laborgeräte.

ÜBERSPANNUNGSKATEGORIE III

Geräte der **ÜBERSPANNUNGSKATEGORIE III** befinden sich in der Verteilerkomponente des Niederspannungsnetzes, darunter z. B. Verteiler, Leistungsschalter, Kabel, Sammelschienen, Steckdosen, stationäre Motoren und fest installierte Industrieanlagen.

ÜBERSPANNUNGSKATEGORIE IV

Geräte der **ÜBERSPANNUNGSKATEGORIE IV** können an der Quelle der örtlichen Niederspannungsanlage eingesetzt werden. Beispiele hierfür sind Stromzähler, primäre Überstromschutzrichtungen und alle weiteren Geräte, die vor der Hauptsicherung installiert werden.

BEGRIFFE IN DIESEM HANDBUCH

WARNUNG kennzeichnet Bedingungen und Vorgehensweisen, die zu schweren Verletzungen oder sogar zum Tod des Benutzers führen können.

VORSICHT kennzeichnet Bedingungen und Handlungen, die zu Schäden oder Fehlfunktionen im Gerät führen können.

INTERNATIONALE ELEKTRISCHE SYMBOLE

Vorsicht! Beachten Sie Erläuterungen in diesem Handbuch.



Vorsicht! Es besteht die Gefahr eines Stromschlags.



Erde (Erdung)



Doppelte oder verstärkte Isolierung



Sicherung



AC--Wechselstrom



DC--Gleichstrom



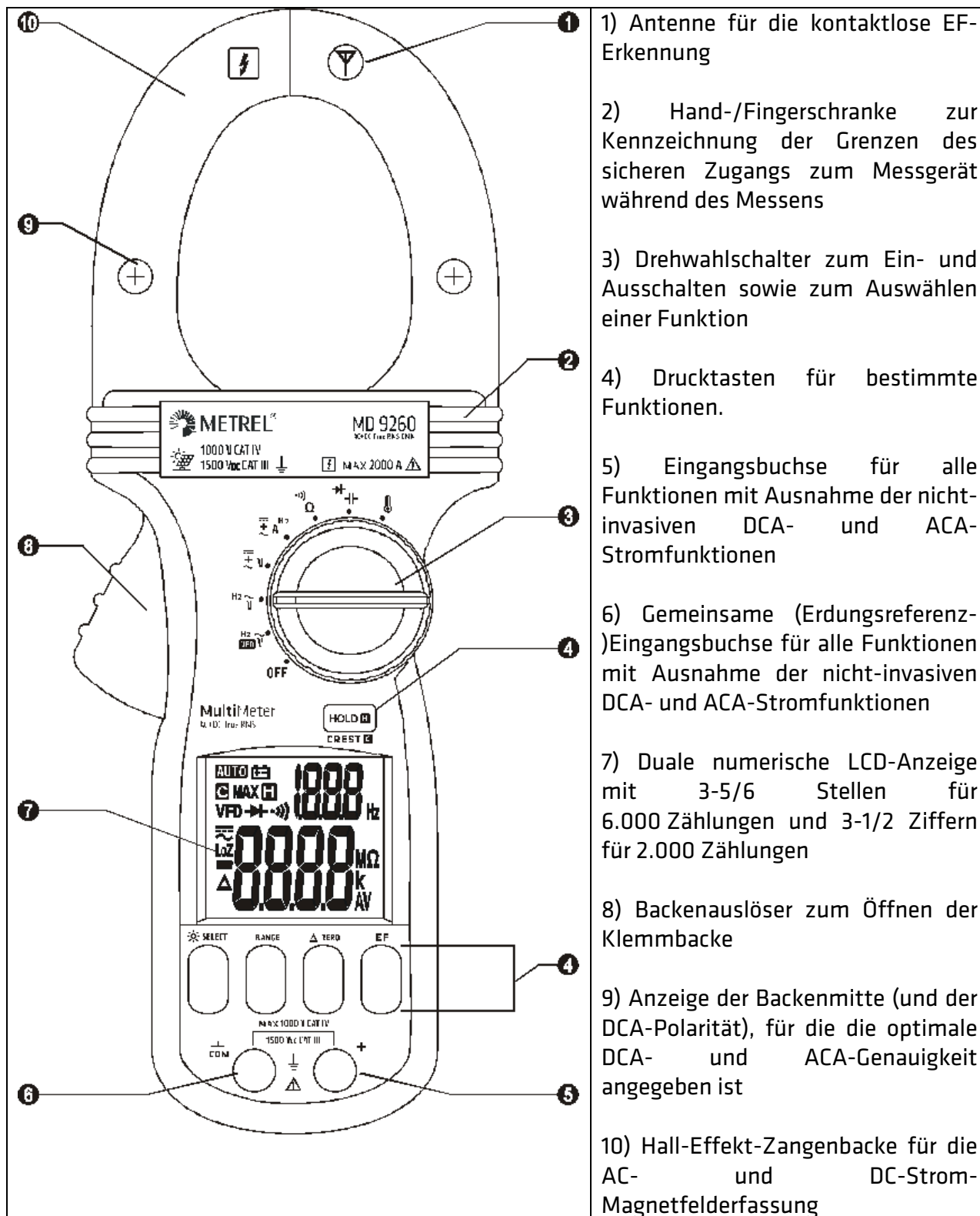
Die Verwendung in der Nähe sowie das Trennen von gefährlichen stromführenden Leitern ist gestattet.

EUROPÄISCHE RICHTLINIEN UND GESETZLICHE ANFORDERUNGEN IN GROSSBRITANNIEN

Die Geräte entsprechen der EUROPÄISCHEN (CE) Niederspannungsrichtlinie 2014/35/EU, der Richtlinie zur elektromagnetischen Verträglichkeit 2014/30/EU und der RoHS 2-Richtlinie 2011/65/EU sowie der Änderungsrichtlinie (EU) 2015/863. Die Geräte entsprechen zudem den UK (UKCA) Electrical Equipment (Safety) Regulations 2016, den Electromagnetic Compatibility Regulations 2016 und den Restriction of the Use of Certain Hazardous Substances in Electrical and Electronic Equipment Regulations 2012.

9. Produktbeschreibung

In diesem Benutzerhandbuch werden zur Illustration ausschließlich repräsentative Modelle verwendet. Beachten Sie im Hinblick auf die für die einzelnen Modelle verfügbaren Funktionen die ausführlichen technischen Daten.



10. Bedienung

VORSICHT: Testen Sie vor und nach gefährlichen Spannungsmessungen die Spannungsfunktion an einer bekannten Quelle, z. B. an der Netzspannung, um die das ordnungsgemäße Funktionieren des Messgeräts sicherzustellen.

Funktionen VFD-ACV^{Hz} und ACV^{Hz}

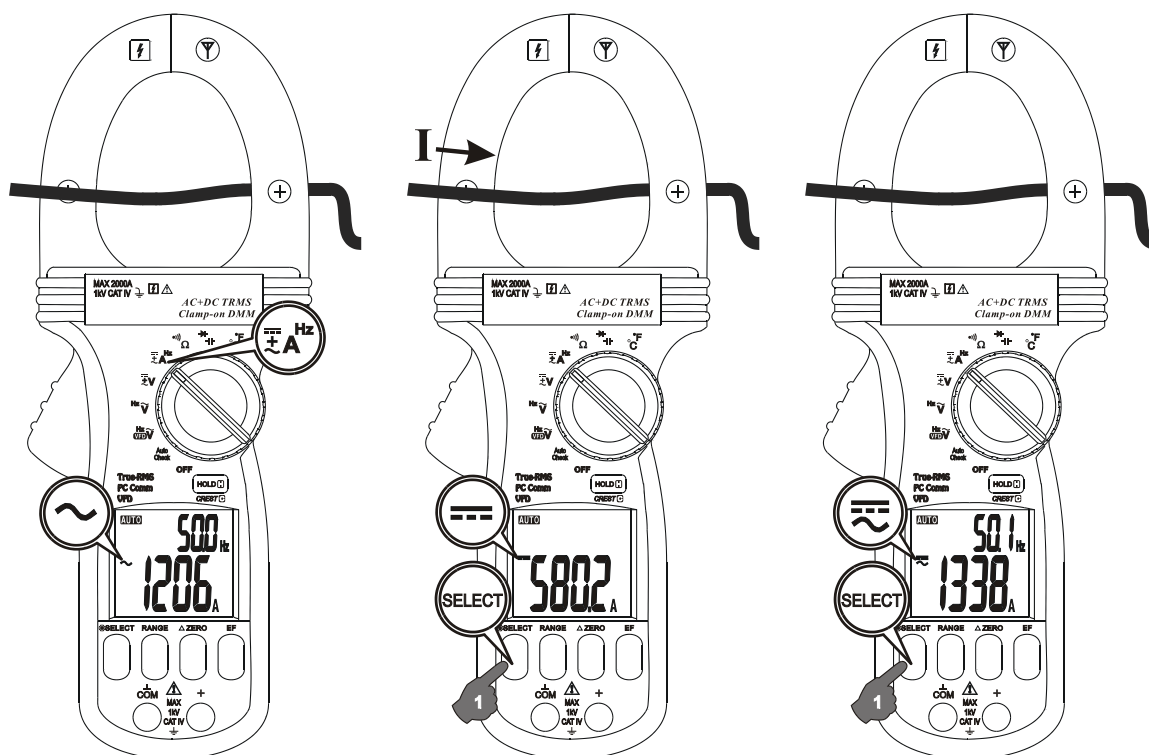
Als Eingänge dienen die Prüflingsanschlüsse.

Die Funktion VFD-ACV^{Hz} dient zum Verarbeiten von VFD-Signalen (Gerät mit variabler Frequenz). Sie wählt zudem die am besten geeigneten Spannungsbereiche und damit die Hz-Auslösepegel aus, um mit den meisten VFD-Spannungs- und VFD-Frequenzanwendungen umgehen zu können.

Hinweis: Der Hz-Auslösepegel wird durch den verwendeten AC/DC+AC Spannungs- oder Strom-Funktionsbereich bestimmt. Drücken Sie auf die Taste **BEREICH**, um die verschiedenen Funktionsbereiche und somit die Auslösepegel manuell auszuwählen.

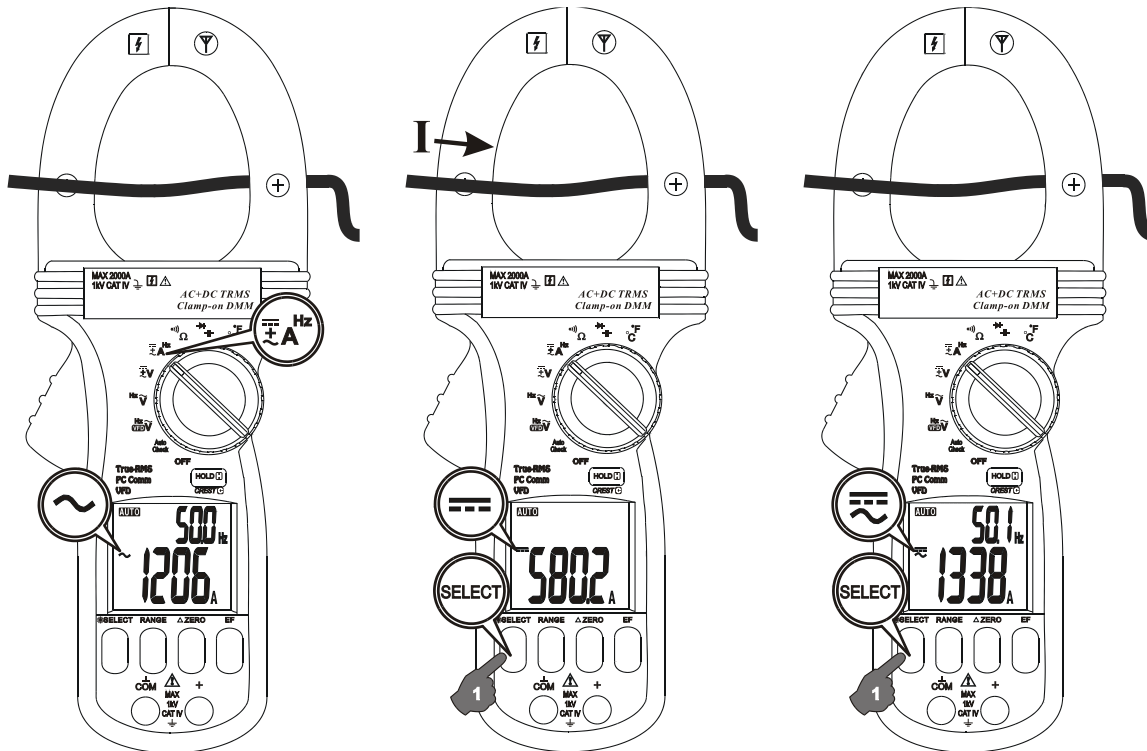
Funktionen DCV und DC+ACV^{Hz}

Als Eingänge dienen die Prüflingsanschlüsse. In der Standardeinstellung ist die DCV-Funktion eingestellt. Drücken Sie kurz die AUSWAHL-Taste, und lassen Sie diese los, um DC+ACV^{Hz} auszuwählen.



Funktionen ACA^{Hz}, DCA und DC+ACA^{Hz}

Als Eingänge fungieren die Klemmbacken für nicht-invasive Strommessungen. In der Standardeinstellung ist die **ACA Hz**-Funktion eingestellt. Drücken Sie kurz die **AUSWAHL**-Taste, und lassen Sie diese los, um die entsprechenden Funktionen nacheinander auszuwählen.



VORSICHT: Anbringen und Abnehmen des Zangenmessgeräts


Für nicht-invasive Laststrommessungen drücken Sie den Backenauslöser, und klemmen Sie die Backen um den/die Leiter eines einzelnen Pols des Stromkreises. Achten Sie darauf, dass die Klemmbacken vollständig geschlossen sind, da andernfalls Messfehler auftreten. Das Umschließen der Leiter von mehreren Polen eines Stromkreises kann zu einer Differenzstrommessung führen (z. B. zum Ermitteln des Ableitstroms). Bringen Sie den/die Leiter so weit wie möglich in die Mitte der Klemmbacken, um eine optimale Messgenauigkeit zu erhalten. Zum Entfernen drücken Sie den Backenauslöser, und entfernen Sie die Backen von dem/den Leiter(n).

Benachbarte stromführende Geräte wie z. B. Transformatoren, Motoren und Leitungsdrähte beeinträchtigen die Messgenauigkeit. Halten Sie die Klemmbacken so weit wie möglich von diesen entfernt, um deren Einfluss zu minimieren.



WARNUNG

Verwenden Sie das Messgerät nicht zum Messen von Strömen oberhalb der Nennfrequenz (400 Hz). Ausgleichsströme können dazu führen, dass die Magnetkreise der Backen eine gefährliche Temperatur erreichen.

Widerstands- und  Durchgangsfunktionen

Verwenden Sie an den Eingangsklemmen Prüfspitzen. In der Standardeinstellung wird der Ω Widerstand gemessen. Drücken Sie kurz auf die AUSWAHL-Taste, und lassen Sie diese los, um  „Durchgang“ auszuwählen.

Kapazitäts- und  Diodenfunktionen

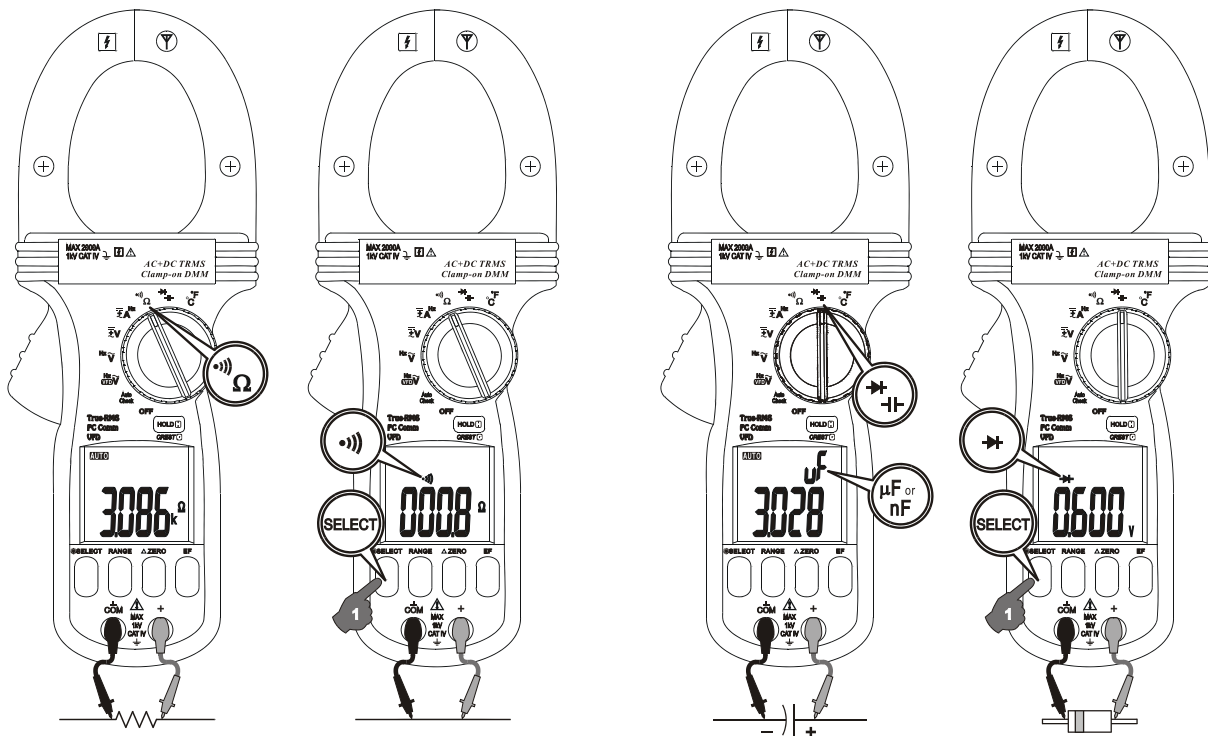
Verwenden Sie an den Eingangsklemmen Prüfspitzen. In der Standardeinstellung wird die  Kapazität gemessen. Drücken Sie kurz auf die AUSWAHL-Taste, und lassen Sie diese los, um  „Diode“ auszuwählen.

Hinweis

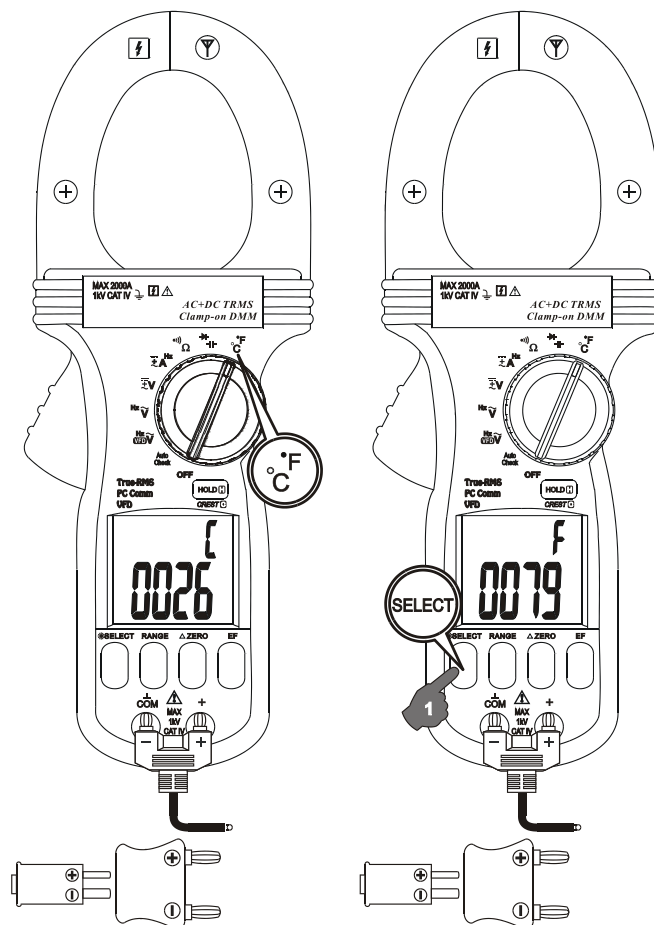
Beim Verwenden der Diodentestfunktion liegt der Durchlassspannungsabfall (in Durchlassrichtung vorgespannt) bei einer guten Siliziumdiode zwischen 0,400 V und 0,900 V. Ein höherer Messwert weist auf eine undichte (defekte) Diode hin. Ein Nullwert weist auf eine kurzgeschlossene (defekte) Diode hin. Eine Überlast weist auf eine offene (defekte) Diode hin. Kehren Sie die Anschlüsse der Prüfleitungen (in Sperrrichtung vorgespannt) an der Diode um. Die Digitalanzeige zeigt eine Überlast an, wenn die Diode in Ordnung ist. Alle anderen Messwerte deuten darauf hin, dass die Diode einen Widerstand ausweist oder kurzgeschlossen (defekt) ist.

VORSICHT

1. Das Verwenden der Widerstands-, Durchgangs-, Dioden- oder Kapazitätsfunktion in einem spannungsführenden Stromkreis führt zu falschen Ergebnissen und kann das Messgerät beschädigen. In vielen Fällen müssen die mutmaßlichen Komponenten vom Stromkreis getrennt werden, um einen genauen Messwert zu erhalten.
2. Wenn Sie die Kapazitätsfunktion verwenden, entladen Sie den/die Kondensator(en), bevor Sie eine Messung durchführen. Kondensatoren mit hohen Werten sollten über eine geeignete Widerstandslast entladen werden.



Temperaturfunktion

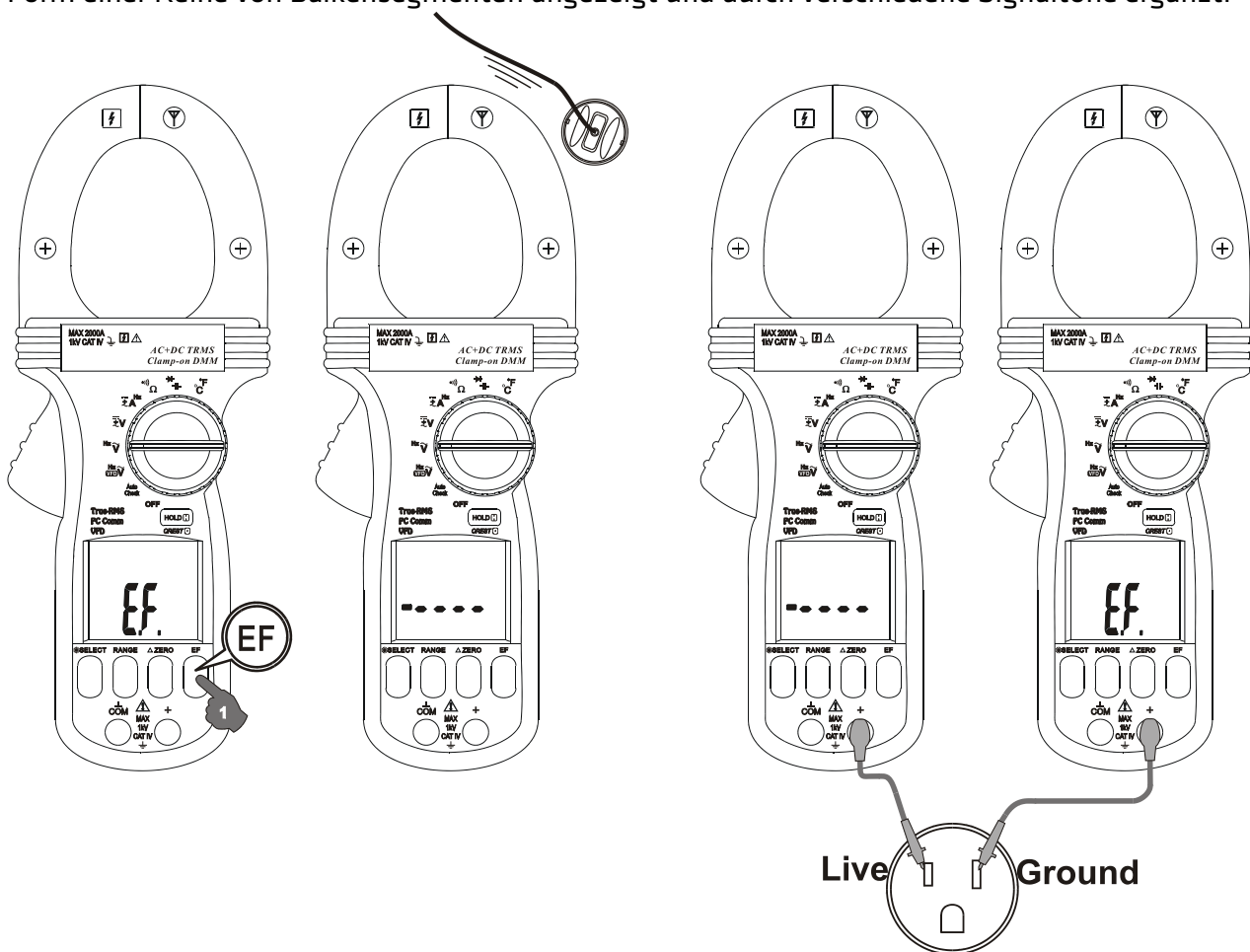


In der Standardeinstellung werden °C-(Celsius)-Messwerte angezeigt. Drücken Sie kurz auf die AUSWAHL-Taste, und lassen Sie diese los, um „°F“ (Fahrenheit) auszuwählen. Als Eingänge dienen die Prüflingsanschlüsse. Achten Sie darauf, den Bananenstecker der

Temperaturprüfspitze AMD 9023 mit der richtigen $+$ $-$ Polarität anzuschließen. Sie können zudem einen Steckeradapter AMD 9024 (optional erhältlich) mit einer Bananenstecker-zu-Typ-K-Buchse verwenden, um weitere Typ-K-Standard-Ministecker-Temperaturprüfspitzen einzusetzen.

EF-Erkennung von elektrischen Feldern

Drücken Sie in der Spannungs- oder Stromfunktion die EF-Taste mindestens eine Sekunde lang, und lassen Sie sie anschließend los, um auf die EF-Erkennungsfunktion umzuschalten. Das Messgerät zeigt „EF-H“ an, sobald es bereit ist. Die Signalstärke wird auf der Anzeige in Form einer Reihe von Balkensegmenten angezeigt und durch verschiedene Signaltöne ergänzt.



- **Kontaktlose EF-Erkennung:** In der oberen rechten Ecke der Klemmbacke befindet sich eine Antenne, die das elektrische Feld in der Umgebung von stromführenden Leitern erfasst. Sie eignet sich ideal zum Aufspüren von stromführenden Leitungen, zum Auffinden von Leitungsbrüchen sowie zum Unterscheiden zwischen stromführenden und Erdungsleitungen.
- **EF-Erkennung mit Prüfspitzenkontakt:** Für eine präzisere Anzeige stromführender Leiter wie z. B. zum Unterscheiden zwischen stromführenden und Erdungsverbindungen verwenden Sie die rote (+) Prüfspitze für direkte Kontaktmessungen.

Funktionen der PC-Computer-Schnittstelle

Das Gerät verfügt auf der Rückseite über eine optisch isolierte Schnittstelle für die Datenkommunikation. Für den Anschließen des Messgeräts an den RS232- oder USB-Anschluss eines PCs ist das optional erhältliche PC-Schnittstellenkit AMD 9250 erforderlich. *Halten Sie beim Einschalten des Messgeräts die Taste HALTEN gedrückt, um den PC-COMM-Ausgang des Messgeräts zu aktivieren.*

Halten

Mit der Funktion „Halten“ wird die Anzeige zum späteren Betrachten eingefroren. Drücken Sie kurz auf die HALTEN-Taste, und lassen Sie diese los, um die Halten-Funktion zu aktivieren.

5-ms-SCHEITEL-MAX Erfassungsmodus

Drücken Sie die Taste SCHEITEL (HALTEN) mindestens eine Sekunde lang, und lassen Sie diese los, um den SCHEITEL-MAX-Erfassungsmodus (HALTEN DES MOMENTANEN SPITZENWERTS) zu aktivieren, und um Spannungs- oder Stromsignalspitzen mit einer Dauer von nur 5 ms zu erfassen. Die LCD-Anzeige „C“ und „MAX“ werden aktiviert. Drücken Sie erneut kurz auf die Taste, und lassen Sie diese los, um zugleich die HALTEN-Funktion zu aktivieren. Drücken Sie für mindestens eine Sekunde auf die Taste, und lassen Sie diese los, um den SCHEITEL-MAX-Modus zu beenden. Die automatische Bereichsauswahl und Abschaltung sind in diesem Modus automatisch deaktiviert.

LCD-Anzeige mit Hintergrundbeleuchtung


Drücken Sie für mindestens eine Sekunde die AUSWAHL-Taste, um die LCD-Hintergrundbeleuchtung einzuschalten. Die Hintergrundbeleuchtung schaltet sich automatisch nach 32 Sekunden aus, um die Lebensdauer der Batterie zu verlängern.

Relativ-Null-(Δ)Modus

Mit dem Relativ-Null-Modus können die aufeinanderfolgenden Messungen des Messgeräts versetzt werden, wobei der Hauptanzeigewert als Referenzwert dient. Drücken Sie kurz auf die REL-Taste, und lassen Sie diese los, um den Relativ-Null-Modus zu aktivieren.

Manueller oder automatischer Bereich

Drücken Sie kurz auf die Taste BEREICH, und lassen Sie diese los, um die manuellen Bereichsauswahl auszuwählen. Das Messgerät verbleibt in vorherigen Bereich, und die LCD-AUTO-Anzeige wird ausgeschaltet. Drücken Sie die Taste erneut, um durch die Bereiche zu wechseln. Halten Sie die Taste mindestens eine Sekunde lang gedrückt, und lassen Sie diese los, um die automatische Bereichsauswahl fortzuführen.

Hinweis: Die manuelle Bereichsauswahl ist in den Hz- und  Funktionsbereichen nicht verfügbar.

Deaktivieren des Pieptons

Drücken Sie beim Einschalten des Messgeräts auf die Taste BEREICH, um die Piepton-Funktion vorübergehend zu deaktivieren. Schalten Sie den Drehschalter auf AUS und anschließend wieder auf EIN, um die Funktion erneut zu aktivieren.

Automatische Abschaltung (APO)

Der Modus für das automatische Abschalten (APO) schaltet das Messgerät automatisch aus, um die Batterielebensdauer zu verlängern, wenn etwa 34 Minuten lang kein Drehschalter oder Druckknopf betätigt wurde. Um das Messgerät aus dem APO-Modus aufzuwecken, drücken Sie kurz die AUSWAHL-Taste, und lassen Sie diese wieder los, oder schalten Sie den Drehschalter auf AUS und anschließend wieder ein. Drehen Sie den Drehschalter stets in die Position AUS, wenn das Messgerät nicht verwendet wird.

Deaktivieren der automatischen Abschaltung

Halten Sie beim Einschalten des Messgeräts die Taste BEREICH gedrückt, um die automatische Abschaltung (APO) vorübergehend zu deaktivieren. Schalten Sie den Drehschalter auf AUS und anschließend wieder auf EIN, um die Funktion erneut zu aktivieren.

11. Wartung

WARNUNG

Um einen elektrischen Schlag zu vermeiden, trennen Sie das Messgerät von allen Stromkreisen, entfernen Sie die Prüflleitungen von den Eingangsbuchsen, und schalten Sie das Messgerät aus, bevor Sie das Gehäuse öffnen. Betreiben Sie das Gerät nicht mit geöffnetem Gehäuse.

Problembehandlung

Wenn das Messgerät nicht funktioniert, überprüfen Sie die Batterien und Prüflleitungen usw., und tauschen Sie diese gegebenenfalls aus. Überprüfen Sie den in dieser Bedienungsanleitung beschriebenen Betriebsablauf.

Wenn der Spannungs-Widerstands-Eingang des Geräts durch einen Unfall oder ungewöhnliche Betriebsbedingungen einer Hochspannung ausgesetzt wurde (durch Blitzschlag oder Schaltstöße im System), brennen die Schmelzwiderstände wie Sicherungen durch (werden hochohmig), um den Benutzer und das Gerät zu schützen. Die meisten Messfunktionen, die über diese Klemme erfolgen, verfügen dann über einen offenen Stromkreis. Die Schmelzwiderstände und die Funkenstrecken sollten anschließend von einem qualifizierten Techniker ausgetauscht werden. Weitere Informationen zu den Reparatur- oder Garantieleistungen finden Sie im Abschnitt EINGESCHRÄNKTE GARANTIE.

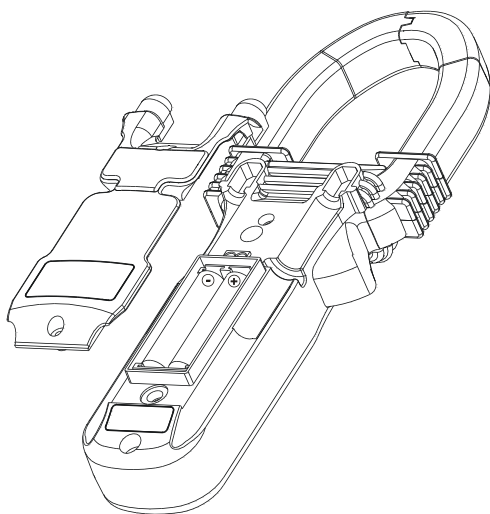
Reinigung und Aufbewahrung

Wischen Sie das Gehäuse regelmäßig mit einem feuchten Tuch und einem milden Reinigungsmittel ab. Verwenden Sie keine Scheuer- oder Lösungsmittel. Wenn das Messgerät länger als 60 Tage nicht verwendet wird, nehmen Sie die Batterien heraus, und lagern Sie diese separat.

Auswechseln der Batterien

Für das Messgerät werden Standardbatterien der Größe 1,5-V-AAA (NEDA 24A oder IEC LR03) X 2 verwendet.

Lösen Sie die zwei unverlierbaren Schrauben von der Abdeckung des Batteriefachs. Heben Sie die Batteriefachabdeckung an. Ersetzen Sie die Batterien. Bringen Sie die Batteriefachabdeckung wieder an. Ziehen Sie die Schrauben wieder an.



12. Technische Daten

Allgemein

Display:	3-5/6-stellige Anzeige, 6000 Zählungen und 3-1/2 stellige Anzeige, 1.999 Zählungen für Hz
Polarität:	Automatisch
Aktualisierungsrate:	Nominell 5 pro Sekunde
Betriebstemperatur:	0 °C bis 40 °C
Relative Luftfeuchtigkeit:	Maximale relative Luftfeuchtigkeit 80 % bei Temperaturen bis 31 °C, linear abnehmend auf 50 % relative Luftfeuchtigkeit bei 40 °C
Verschmutzungsgrad:	2
Lagerungstemperatur:	-20 °C bis 60 °C, <80 % R.F. (bei entnommener Batterie)
Höhe:	Betrieb unter 2.000 m
Temperaturkoeffizient:	nominal 0,15-fach (angegebene Genauigkeit)/°C bei (0 °C–18 °C oder 28 °C–40 °C), oder soweit anders angegeben
Erfassung:	Effektivwert
Sicherheit:	Erfüllt die IEC/EN/BSEN/CSA_C22.2_No./UL-Normen von 61010-1 Ausg. 3.1 und 61010-2-032 Ausg. 4.0 für die Messkategorien KAT IV 1.000 V AC und DC und KAT III 1.500 V DC.
Transientenschutz:	12kV (1,2/50µs Überspannung)
Überlastschutz	
Klemmbacken:	2.000 A effektiv kontinuierlich „+“ und COM
Spannung an den Klemmen:	1.650 V DC/1.100 V AC effektiv
Weitere Funktionen:	1.500 V DC/1.000 V AC effektiv
EMV:	Erfüllt EN61326-1:2006 (EN55022, EN61000-3-2, EN61000-3-3, EN61000-4-2, EN61000-4-3, EN61000-4-4, , EN61000-4-5, EN61000-4-6, EN61000-4-8, EN61000-4-11)
In einem HF-Feld von 3 V/m:	Kapazitätsfunktion nicht angegeben
Weitere Funktionsbereiche:	Gesamtgenauigkeit = angegebene Genauigkeit + 200 Stellen Leistung über 3 V/m nicht angegeben
Netzversorgung:	1,5-V-AA-Batterie (IEC LR6) X 2
Stromverbrauch:	Typisch 14 mA für Stromfunktionen und 5,2 mA für andere Funktionen
Niedriger Batteriestand:	Unterhalb von ca. 2,4V
APO-Zeitdauer:	Leerlauf für 34 Minuten
APO-Verbrauch:	10 µA typisch
Abmessungen:	L 264 mm X B 97 mm X H 43 mm
Gewicht:	608 g
Backenöffnung/ Leitungsdurchmesser:	Max. 55 mm
Zubehör:	Prüfleitungen (Paar), Benutzerhandbuch, Bananenstecker Thermoelement Typ K x1
Optional erhältliches Zubehör:	USB-Schnittstellen-Kit AMD 9250; Bananenstecker-zu-Typ-K- Buchsenstecker-Adapter AMD 9024

Besondere Merkmale	AutoCheck™ V&Ω; VFD-V & VFD-Hz; LCD mit Hintergrundbeleuchtung; 5-ms-SCHEITEL-MAX Erfassungsmodus (Spitzenwert halten); automatische Bereichsauswahl, Relativ-Null-Modus; Anzeige halten; EF-Erkennung (NCV); optionale Schnittstelle mit PC-Computern
--------------------	--

Elektrische technische Daten

Die Genauigkeit beträgt \pm (% der Messwertstellen + Anzahl der Stellen) oder wie anderweitig angegeben für 23 °C \pm 5 °C und weniger als 75 % relative Luftfeuchtigkeit. Die effektive Spannungsgenauigkeiten sind für 5 % bis 100 % des Bereichs oder anderweitig angegeben. Maximaler Scheitelfaktor <1,4: 1 bei vollständiger Skala und <2,8: 1 bei halber Skala sowie mit Frequenzkomponenten innerhalb der angegebenen Frequenzbandbreite für nicht-sinusförmige Wellenformen.

Gleichspannung

BEREICH	Genauigkeit
6,000V, 60,00V, 600,0 V und 1.000 V	0,5%+5d
1.000 V - 1.500 V	0,5% + 5d

Eingangsimpedanz: 10 MΩ, 50 pF nominal

Wechselspannung

BEREICH	Genauigkeit
50Hz ~ 400Hz	
6,000V, 60,00V, 600,0 V und 1.000 V	1,2% + 5d

Eingangsimpedanz: 10 MΩ, 50 pF nominal

AC+DC-Spannung

BEREICH	Genauigkeit
DC, 50 Hz ~ 400 Hz	
6,000V, 60,00V, 600,0 V und 1.000 V	1,4% + 7d

Eingangsimpedanz: 10 MΩ, 50 pF nominal

VFD_ACV (mit Tiefpassfilter)

BEREICH	Genauigkeit ¹⁾
10Hz ~ 20Hz	
6,000V, 60,00V, 600,0 V und 1.000 V	4%+80d
20Hz ~ 200Hz	
6,000V, 60,00V, 600,0 V und 1.000 V	2%+60d
200Hz - 400Hz ²⁾	
6,000V, 60,00V, 600,0 V und 1.000 V	7%+80d

¹⁾Nicht angegeben für Grundfrequenz >400 Hz

²⁾ Die Genauigkeit nimmt linear von 2 % + 50d bei 200 Hz auf 7% + 80d bei 400 Hz ab.

SCHEITEL-MAX Erfassungsmodus

Genauigkeit: Angegebene Genauigkeit plus 250 Stellen für Änderungen mit einer Dauer von >0,5 ms

Ohm & AutoCheck™_Ohm¹⁾

BEREICH	Genauigkeit
600,0Ω, 6,000KΩ, 60,00K	0,5% + 5d
600,0K	0,8%+5d
6.000M	1,2% + 5d
40.00M	2,3%+5d

Leerlaufspannung: 0,45 V DC typisch

¹⁾Ohm-Schwellenwert für AutoCheck™:

<10.00 MΩ nominal

Akustisch wahrnehmbares Durchgangstestgerät

Wahrnehmbarer Schwellenwert: Zwischen 10Ω und 200

Reaktionszeit: Ca. 32 ms

Kapazität

BEREICH	Genauigkeit ¹⁾
60,00 nF, 600,0 nF, 6.000 μF	2,0%+5d
60,00 μF, 600.0uF	3,5%+5d ²⁾
2.000 μF	4,0%+5d ²⁾

¹⁾Genauigkeiten für mindestens Folienkondensator

²⁾Temperaturkoeffizient: 0,25-fach (angegebene Genauigkeit)/°C bei (0 °C -- 18 °C oder 28 °C -- 40 °C)

Diodentestgerät

BEREICH	Genauigkeit
1,000V	1,0% + 3d

Prüfstrom: 0,56 mA typisch

Leerlaufspannung: <1,8 V DC typisch

DCA-Strom (Klemme)

BEREICH	Genauigkeit ^{1) 2)}
200,0A	2,0%+5d
0~500A	2,0%+5d
500~2000A	3,0%+5d

¹⁾Induzierter Fehler von benachbarten stromführenden Leitern: < 0,1A/A

²⁾Angegeben für Relativ-Null- Δ Modus, um ggf. Nicht-Null-Restwerte zu versetzen

ACA-Strom (Klemme)

BEREICH	Genauigkeit ¹⁾
50Hz ~ 60Hz	
200,0A	2,0%+5d
0~500A	2,5%+5d
500~2000A	3,0%+5d
40Hz ~ 50Hz & 60Hz ~ 400Hz	
200,0A	2,0%+5d

0~500A	3%+5d
500~1000A	3,5%+5d
1000~2000A	Anhaltswert

Effektiver Scheitelfaktor: <1,4: 1 bei vollständiger Skala und <2,8: 1 bei halber Skala

¹⁾Induzierter Fehler von benachbarten stromführenden Leitern: <0,1A/A

DC+ACA-Strom (Klemme)

BEREICH	Genauigkeit ^{1) 2)}
DC, 50 Hz ~ 60Hz	
200,0A, 2000A	3,0%+8d
40Hz ~ 50Hz & 60Hz ~ 400Hz	
200,0A	3,5%+8d
0~1000A	3,5%+8d
1000~2000A	Anhaltswert

Effektiver Scheitelfaktor:

<1,4: 1 bei vollständiger Skala und <2,8: 1 bei halber Skala

¹⁾Induzierter Fehler von benachbarten stromführenden Leitern: <0,1A/A

²⁾Angegeben für Relativ-Null- Δ Modus, um ggf. Nicht-Null-Restwerte zu versetzen

Temperatur

BEREICH	Genauigkeit
-50 °C ~ 1.000 °C	0,3% +4d
-58 °F ~ 1832 °F	0,3% + 6d

Typ-K-Thermoelementbereich und -genauigkeit nicht enthalten

Hz-Frequenz im Leitungszustand

Funktion	Empfindlichkeit (Sinus effektiv)	Bereich
6V	2V	40Hz ~ 1999Hz
60V	20V	40Hz ~ 1999Hz
600V	100V	40Hz ~ 1999Hz
1000V	600V	40Hz ~ 1999Hz
200A	10A	20Hz ~ 400Hz
2000A	40A	20Hz ~ 400Hz
VFD 6 V ¹⁾	1 V~2 V	10Hz ~ 400Hz
VFD 60V ¹⁾	6~20V	10Hz ~ 400Hz
VFD 600V ¹⁾	60V~200V	10Hz ~ 400Hz

Genauigkeit: 0,1%+4d

¹⁾Die VFD-Empfindlichkeit nimmt linear von 10 % F.S. bei 200 Hz auf 40 % F.S zu. bei 400 Hz

Kontaktlose EF-Erkennung

Typische Spannung	Balkendiagramm-Anzeige
20 V (TOLERANZ: 10 V ~ 36 V)	-
55V (TOLERANZ: 23V ~ 85V)	- - -

13. Eingeschränkte Garantie

Für dieses Gerät wird eine Garantie auf Herstellungs- und Materialfehler gewährt.

Während des Garantiezeitraums (zwei Jahre) werden defekte Teile ersetzt, wobei sich der Hersteller das Recht vorbehält, das Produkt zu reparieren oder zu ersetzen. Bei einer Rückgabe des Geräts an den Kundendienst oder eine örtliche Vertretung gehen die Kosten für den Hin- und Rücktransport zu Lasten des Absenders. Geben Sie bei der Lieferung auf einer beigefügten Notiz möglichst deutlich die Gründe für die Rücksendung an. Schäden, die durch den Versand in einer von der Originalverpackung abweichenden Verpackung entstehen, gehen stets zu Lasten des Absenders.

Der Hersteller haftet nicht für Personen- oder Sachschäden.

Die Garantie ist in den folgenden Fällen nicht gültig:

- Zubehör und Batterien sind nicht in der Garantie enthalten.
- Reparaturen aufgrund unsachgemäßer Verwendung des Geräts.
- Reparaturen, die durch Reparaturversuche einer nicht vom Hersteller autorisierten Person erforderlich wurden.
- Änderungen am Gerät ohne ausdrückliche Genehmigung des Herstellers.
- Anpassung an eine bestimmte Anwendung, die nicht in den Spezifikationen für das Gerät oder im Benutzerhandbuch vorgesehen ist.
- Schäden nach Stürzen, Schlägen oder Überschwemmungen.

Die Inhalte dieses Handbuchs dürfen ohne die Zustimmung des Herstellers in keiner Form vervielfältigt werden.

14. Wartung

Die Lebensdauer des Geräts beträgt sieben Jahre. Sollte das Gerät nicht ordnungsgemäß funktionieren, prüfen Sie vor der Wartung den Zustand der Batterien, der Prüflösungen usw., und tauschen Sie diese gegebenenfalls aus.

Wenn das Gerät nach wie vor nicht funktioniert, überprüfen Sie, ob Ihre Vorgehensweise mit der in dieser Anleitung beschriebenen übereinstimmt.

Im Falle einer Rücksendung muss das Gerät an den Kundendienst des örtlichen Metrel-Vertriebspartners gesandt werden, wobei die Kosten für den Hin- und Rücktransport zu Lasten des Kunden gehen. Die Lieferung muss im Voraus mit dem Empfänger vereinbart werden. Geben Sie bei der Lieferung auf einer beigefügten Notiz möglichst deutlich die Gründe für die Rücksendung an. Verwenden Sie ausschließlich die Originalverpackung. Schäden, die durch den Versand in einer von der Originalverpackung ABWEICHENDEN Verpackung entstehen, gehen stets zu Lasten des Absenders.

DIESE GARANTIE IST EXKLUSIV UND ERSETZT ALLE ANDEREN AUSDRÜCKLICHEN ODER STILLSCHWEIGENDEN GARANTIE, EINSCHLIESSLICH, JEDOCH NICHT BESCHRÄNKT AUF JEGLICHE STILLSCHWEIGENDE GARANTIE DER MARKTGÄNGIGKEIT ODER EIGNUNG FÜR EINEN BESTIMMTEN ZWECK ODER GEBRAUCH. METREL IST NICHT HAFTBAR FÜR BESONDERE, INDIRECTE, ZUFÄLLIGE ODER FOLGESCHÄDEN.



GEDRUCKT AUF RECYCLING-FÄHIGEM PAPIER, BITTE RECYCELN